

RESTORATION OF LOST ORIGINAL GOVERNMENT SURVEY CORNER

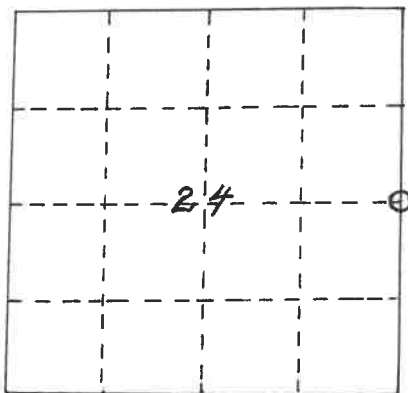
Index No. 10 P25
P25

STATE OF WISCONSIN

I NEAL SPERHAKE, do hereby certify that on the TWELFTH day of OCTOBER, 1962, I restored the EAST QUARTER SECTION CORNER of SECTION 24, TOWNSHIP 35 NORTH, RANGE 13 EAST, Fourth Principal Meridian, as described hereon.

Resident Witnesses:

Stanley Novak - Laona.
Richard Piontek - Waubeno.
David Pichotta - Waubeno.



○ = Corner monument restored

History of original corner establishment:

This corner can also be described as: THE QUARTER SECTION CORNER BETWEEN SECTIONS 24, T35N-R13E, AND 19, T35N-R14E, 4TH P.M.

This corner was established during the original survey of this township, as noted in the Original Field Notes for the Original Survey of T35N-R13E, 4th p.m.

Description of monument and accessories I established to perpetuate the location of this corner.

At the point determined for the location of the corner I emplaced a:

"GALVANIZED IRON PIPE, THREE FEET LONG, ONE INCH IN DIAMETER, WITH ALUMINUM CAP DENOTED AS, 'KIMBERLY-CLARK CORP T35N 1/4 BTWN 24 & 19 R13-14E SPERHAKE RLS 463 10-11-62".

The pipe is witnessed by:

Basswood 3 S43W 25 1/2 links. (Scribed S24 NBT).
Maple 3 S24E 22 links. (Scribed S19 NBT).

Description as to how corner was located:

At first there appeared to be no evidence of the original corner present. Thus, I prepared to set it by proportionate measurement between the previously established section corners one half mile north and south, respectively. Distance between the corners is 79.93 chains. Therefore, I planned to set the 1/4 cr. 39.96 1/2 chains from either section corner, on a straight line between them. At the exact chainage, but 3 links west of a straight line between the two section corners was located a hole about 3 inches in diameter, about 2 feet deep, and containing a shaft of charred wood. Its position, size, and the improbability of its just being coincidentally placed convinces me that it is the site of the original corner. I emplaced the pipe at this spot.

Dated at Crandon, Wis, Wis., this 11th day of Feb., 19 63

Signature Neal Sperhake Title Registered Land Surveyor Registration No. S-463

Office of Register of Deeds, County of Forest, I hereby certify that the within instrument was filed in this office for record on the 11th day of Feb., 19 63 at 10 o'clock A M. 86832

Anna Peterson
(Register of Deeds)

By _____ Deputy

Surveyors Seal

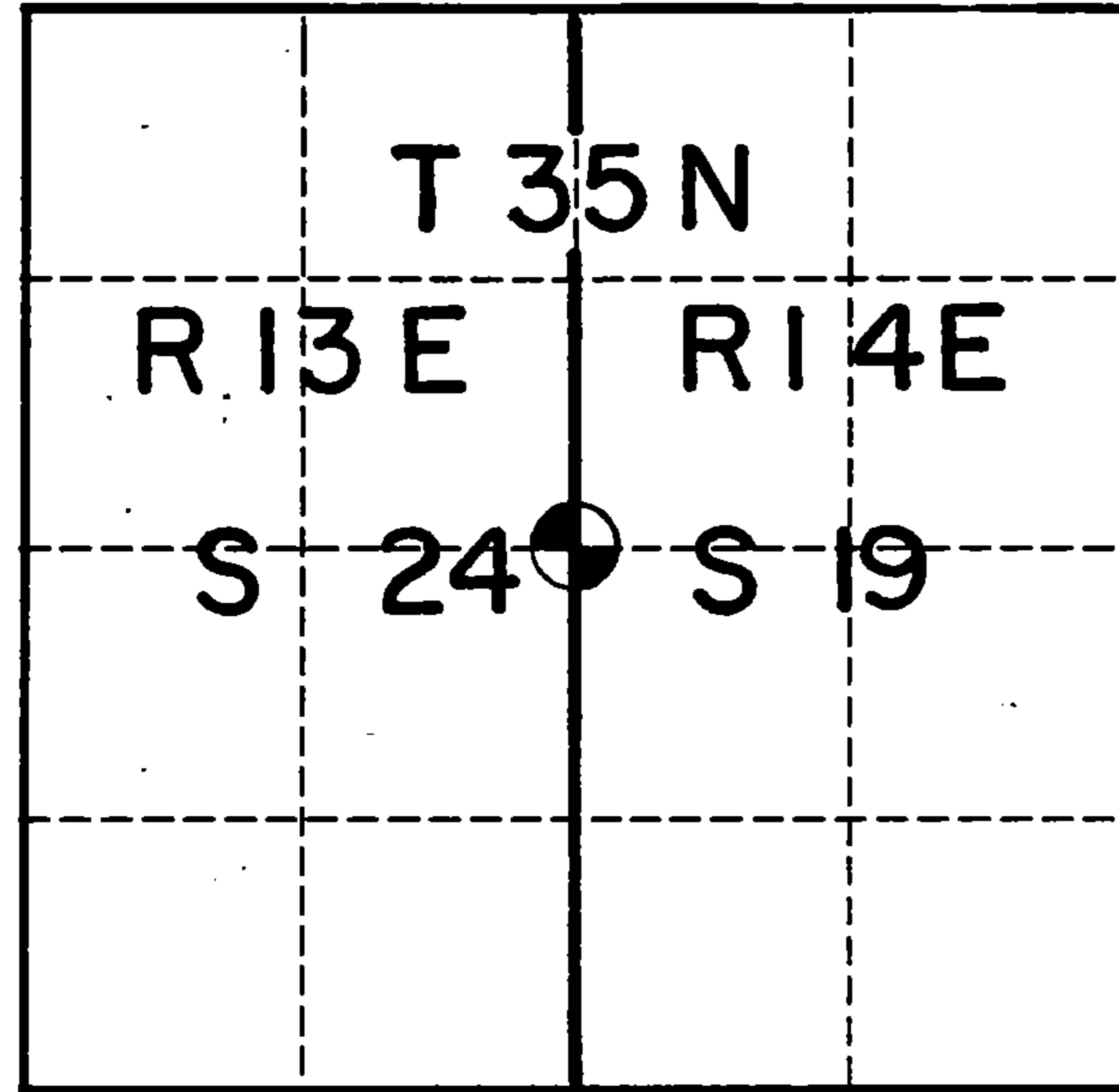
Subscribed & sworn to before me this 11th day of Feb. 1963
Anna Peterson
Notary Public, Forest Co., Commission exp. 10/31/65

43513242000

U. S. PUBLIC LAND SURVEY MONUMENT RECORD

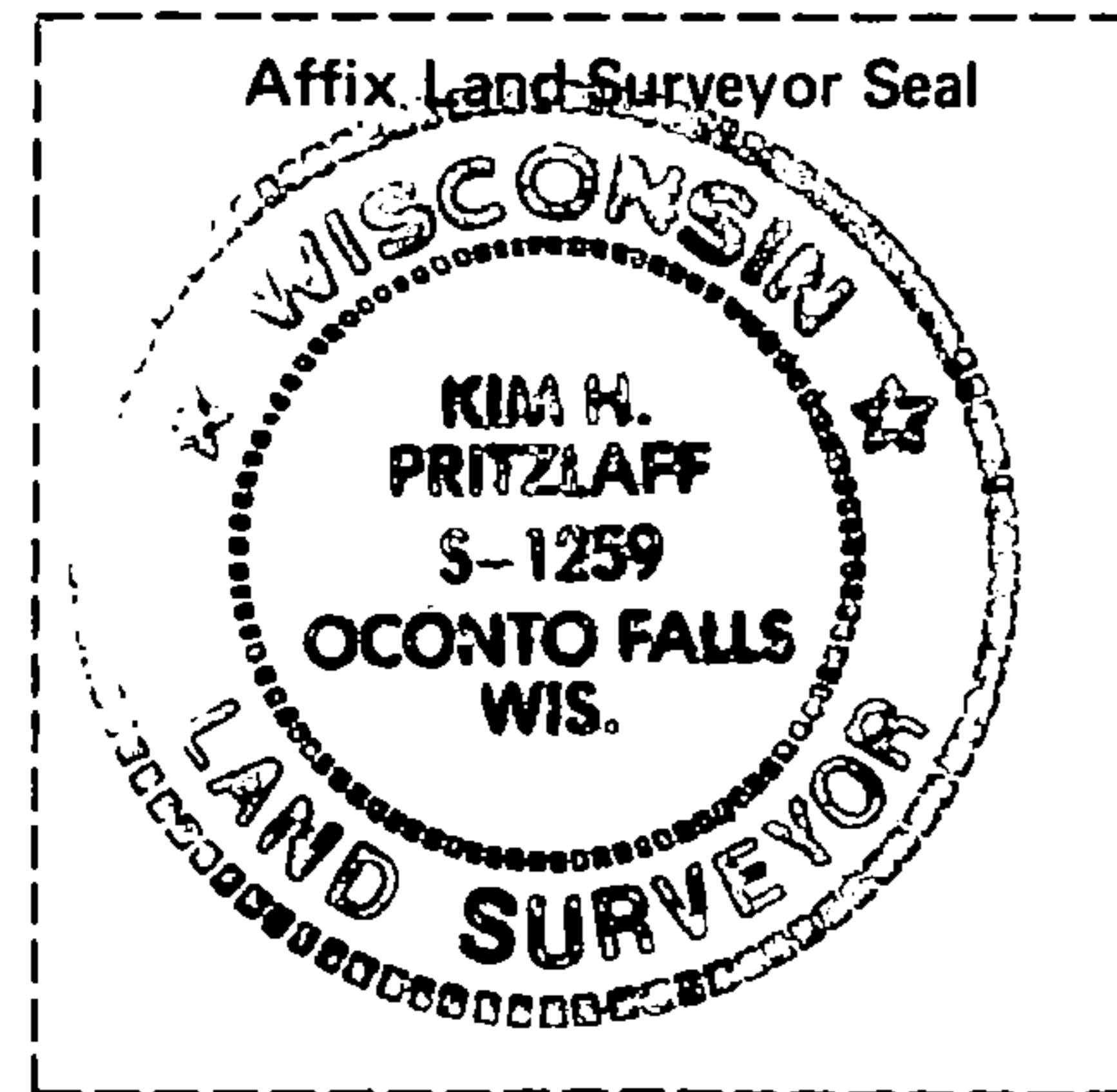
INDEX NO. P-1

Quarter _____ Corner to Section 19 24 T35N, R13E
(Section/Quarter) _____ 14



Show distances and bearings if set by proportional measurement.

○ = Corner monument restored.



Corner consists of a 1" iron pipe with aluminum cap stamped for corner. Ties are to aluminum nails driven into the tree centers which trees were blazed and scribed. Bearings are magnetic.

I, Kim H Pritzlaff, RLS No. 1259
(Type or print name) certify that the corner location shown on this record was determined by me or under my direction and control and that this U.S. Public Land Survey Monument Record is correct and complete to the best of my knowledge and belief.

Kim H Pritzlaff
Signature

1993
Date

History of original corner establishment, record evidence, monument evidence, occupational evidence, testimonial evidence or any other material evidence, and what you found and how the monument was set.

In 1857 Alfred Millard, contract surveyor, set a wood post at this corner and marked the following bearing trees:

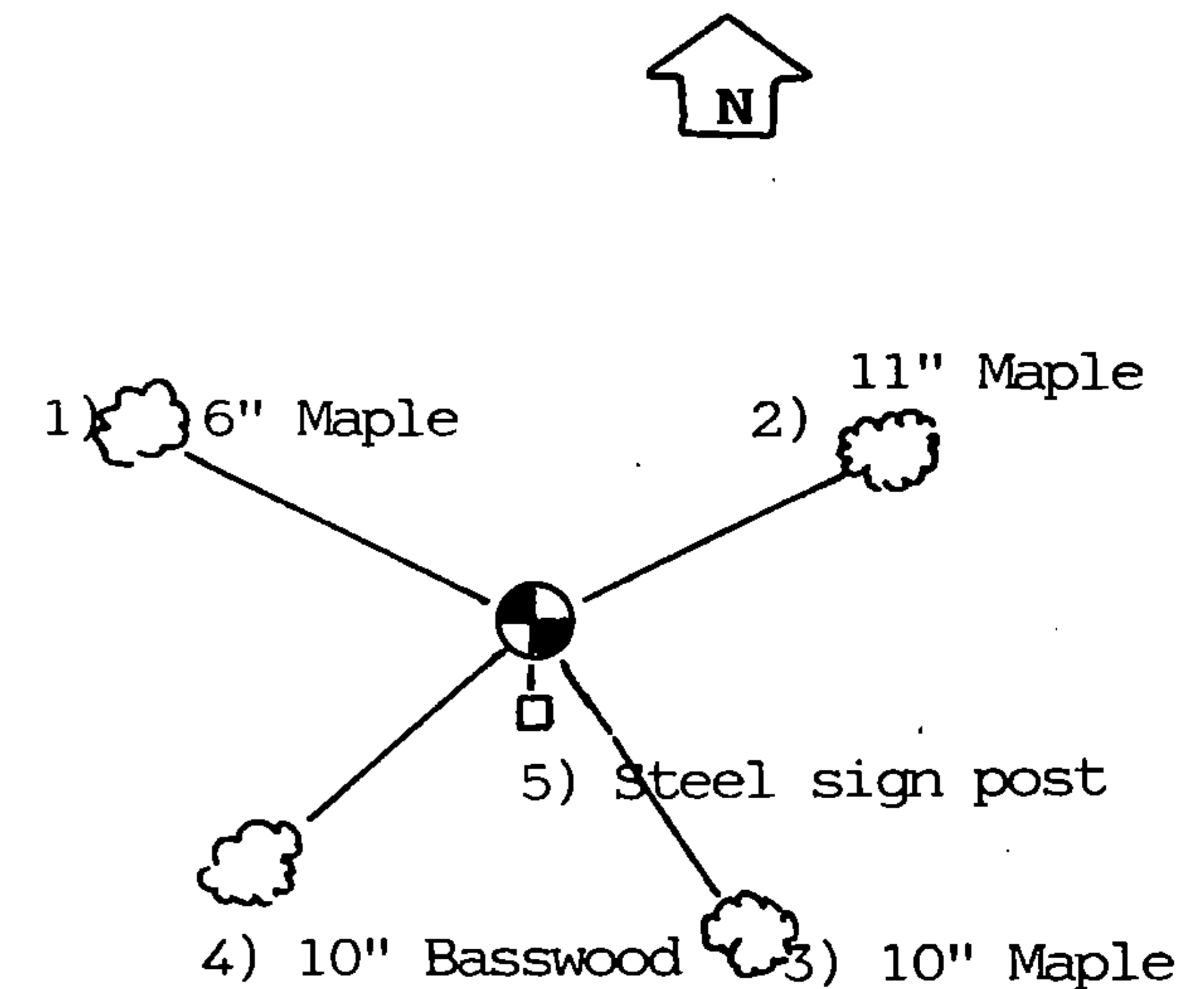
Hemlock	24"	N42E	35 links
Sugar	26"	S84W	22 "

In 1962 Neal Sperhake, RLS, found evidence of this corner in the form of a post rotted in a small vertical hole. He set a 1" iron pipe with aluminum cap stamped for corner.

I located Sperhake's monument in good condition but lacking bearing trees. I accepted his monument and brought it up to USFS standards.

In the plan view drawing below, provide reference ties to at least 4 witness monuments, or, if the location is within a municipality, to at least 2 witness monuments. (Witness monuments shall be made of concrete, natural stone, iron or other equally durable material, except wood other than bearing trees.) Also, show any material discrepancies between the corner restored or re-established and the location of any other previous corner location or occupation.

- 1) N74°W 16.18 ft
- 2) N68°E 16.02 ft
- 3) S21°E 14.24 ft.
- 4) S45°W 16.92 ft
- 5) South 0.80 ft.



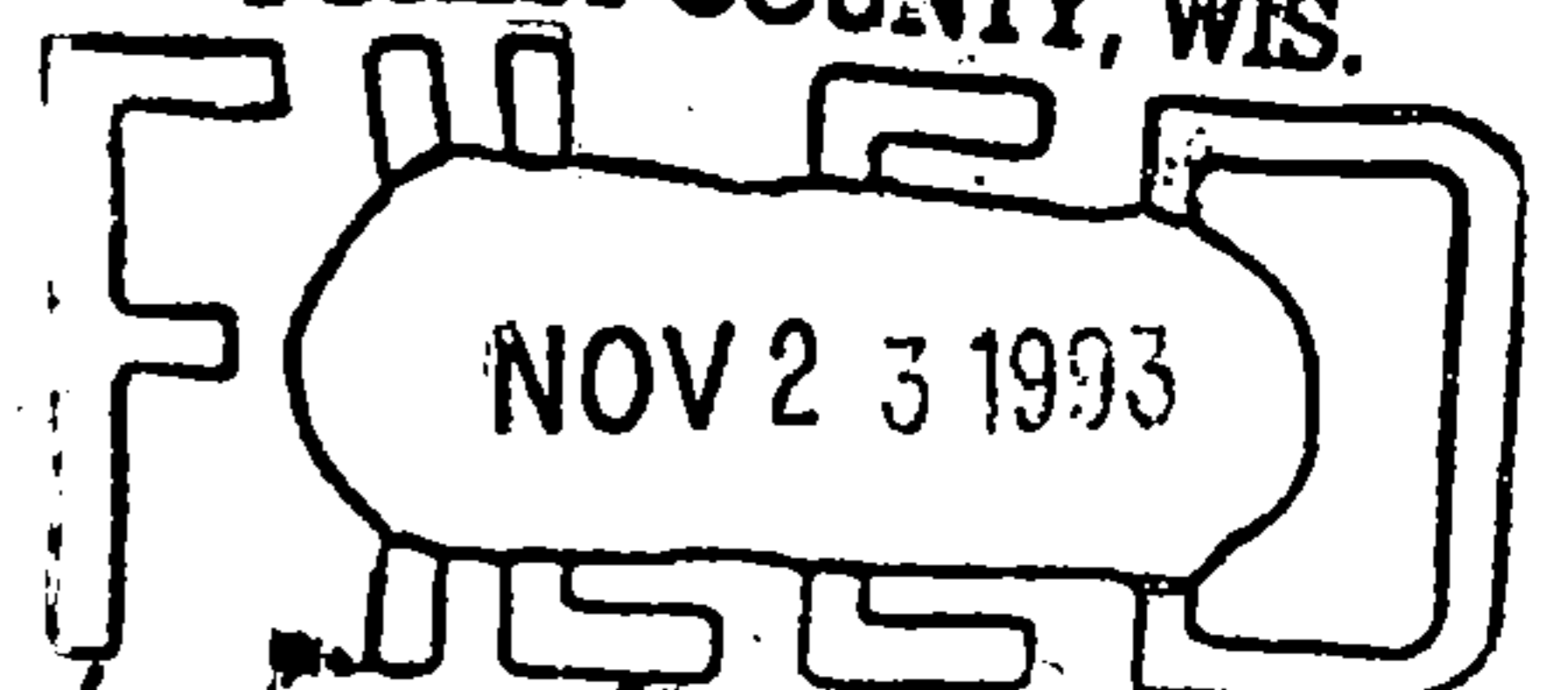
Certificate Ready For Filing:

Ralph Wells
Acting District Ranger

149077

43513242000

REGISTER'S OFFICE
FOREST COUNTY, WIS.



Paul A. Antkowiak 9 O'clock M.
Register of Deeds