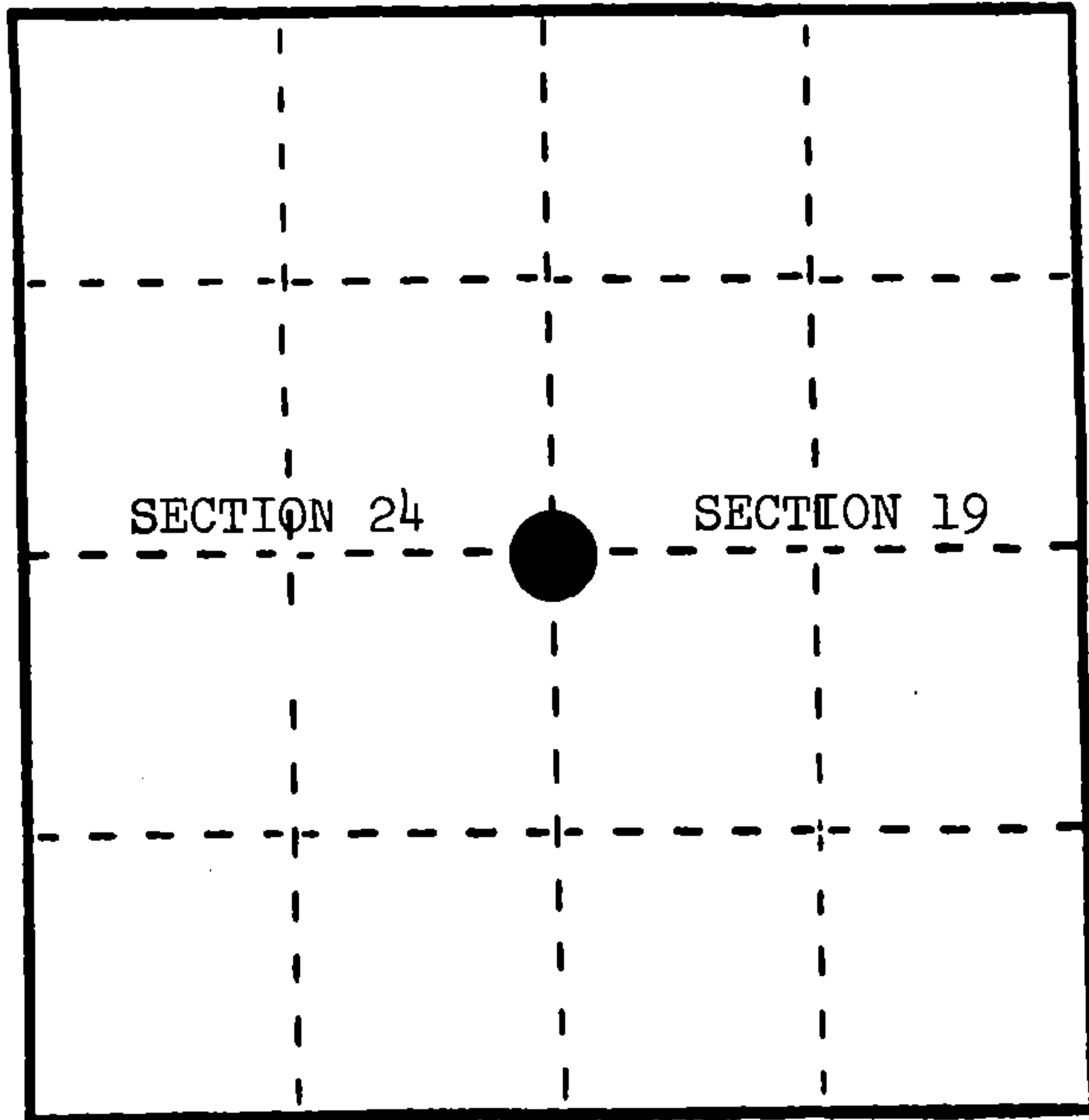


U. S. PUBLIC LAND SURVEY MONUMENT RECORD

INSTRUCTIONS : This record shall show the location of the corner and shall include all of the following nine elements (a through i).

- (a) Identify the corner by reference to the U.S. public land survey system.
- = Corner monument restored.

Quarter corner to Sections 19 and 24, T.34N., R.15-16E.



- (b) Describe any record evidence, monument evidence, occupational evidence, testimonial evidence or any other material evidence you considered, and whether the monument was found or placed.

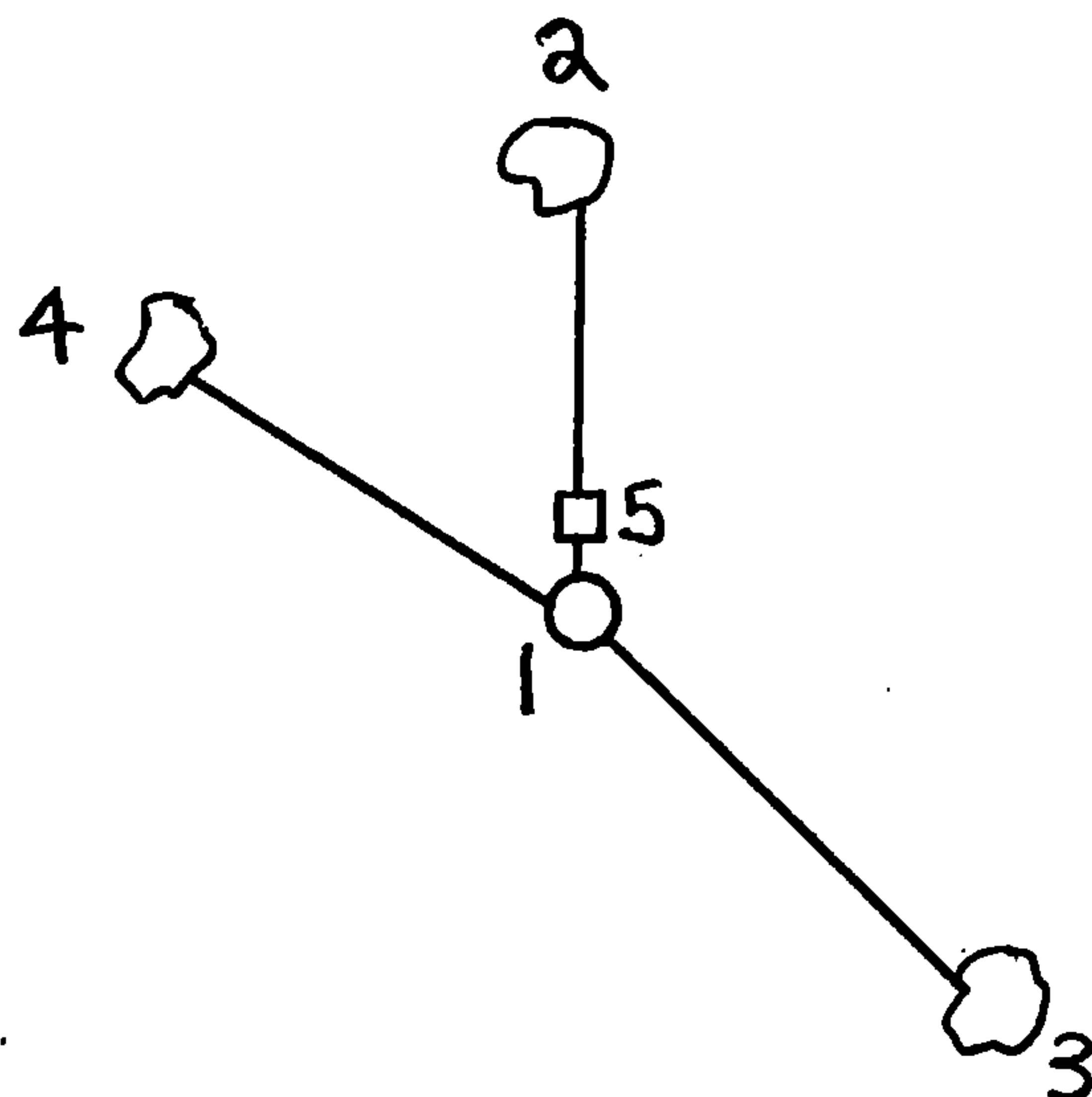
In 1857, Artemas Curtis set wood post with the following BTs: Sugar, 12", S.11°E., 6 links; Sugar, 30", N.46°W., 5 links.

May 31, 1984, Milo Stefan set proportionate position. Searched area, found no evidence of corner position.

- (c) In the plan view drawing below, provide reference ties to at least 4 witness monuments, or, if the location is within a municipality, to at least 2 witness monuments. (Witness monuments shall be made of concrete, natural stone, iron or other equally durable material.) Describe witness monuments.

- (d) Show a plan view drawing depicting the relevant monuments and reference ties which is sufficient in detail to enable accurate relocation of the corner monument if the corner monument is disturbed. Indicate north.

1. 2" x 36" aluminum monument stamped to identify the corner.
2. Sugar, 5", North, 28.97'
3. Sugar, 8", S.26°E., 50.72'
4. Sugar, 8", N.49°W., 26.77'
5. Steel Sign Post, North, 1.80'



REGISTER'S OFFICE }
 Forest County, Wis. }
 Received for record this 24th day
 of January A. D., 1985 at
 10:30 o'clock... A.....M. and
 recorded in Vol. CORNER RESTORATIONS
 on page P-1.....
Paul Aschenbrenner
 REGISTER

(e) Describe any material discrepancy between the location of the corner as restored or reestablished and the location of that corner as previously restored or reestablished by distance and direction. Show the discrepancy on the plan view drawing under (d), above. Show the distances between the corner as previously restored or reestablished and (1) the corner as restored or reestablished, and (2) to at least 2 of the witness monuments shown on the drawing in (d), above.

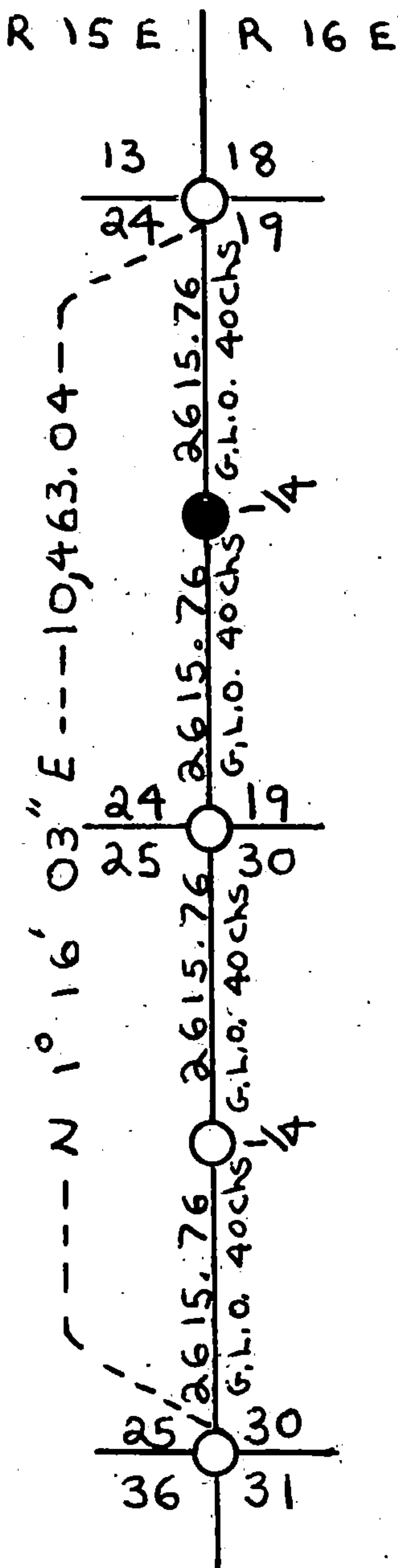
None.

(f) Was the corner restored through acceptance of (1) an obliterated evidence location, or, (2) a found perpetuated location?

No.

(g&h) Was the corner reestablished through lost corner proportionate methods? If so, show the method, including the directions and distances to other public land survey corners used as evidence or used for proportioning in determining the corner location?

Yes.



(1) I, Milo E. Stefan
 (Type or print name) certify that the corner location shown on this record was determined by me or under my direction and control and that this U.S. Public Land Survey Monument Record is correct and complete to the best of my knowledge and belief.

Milo E. Stefan
 Signature

11/30/84
 Date

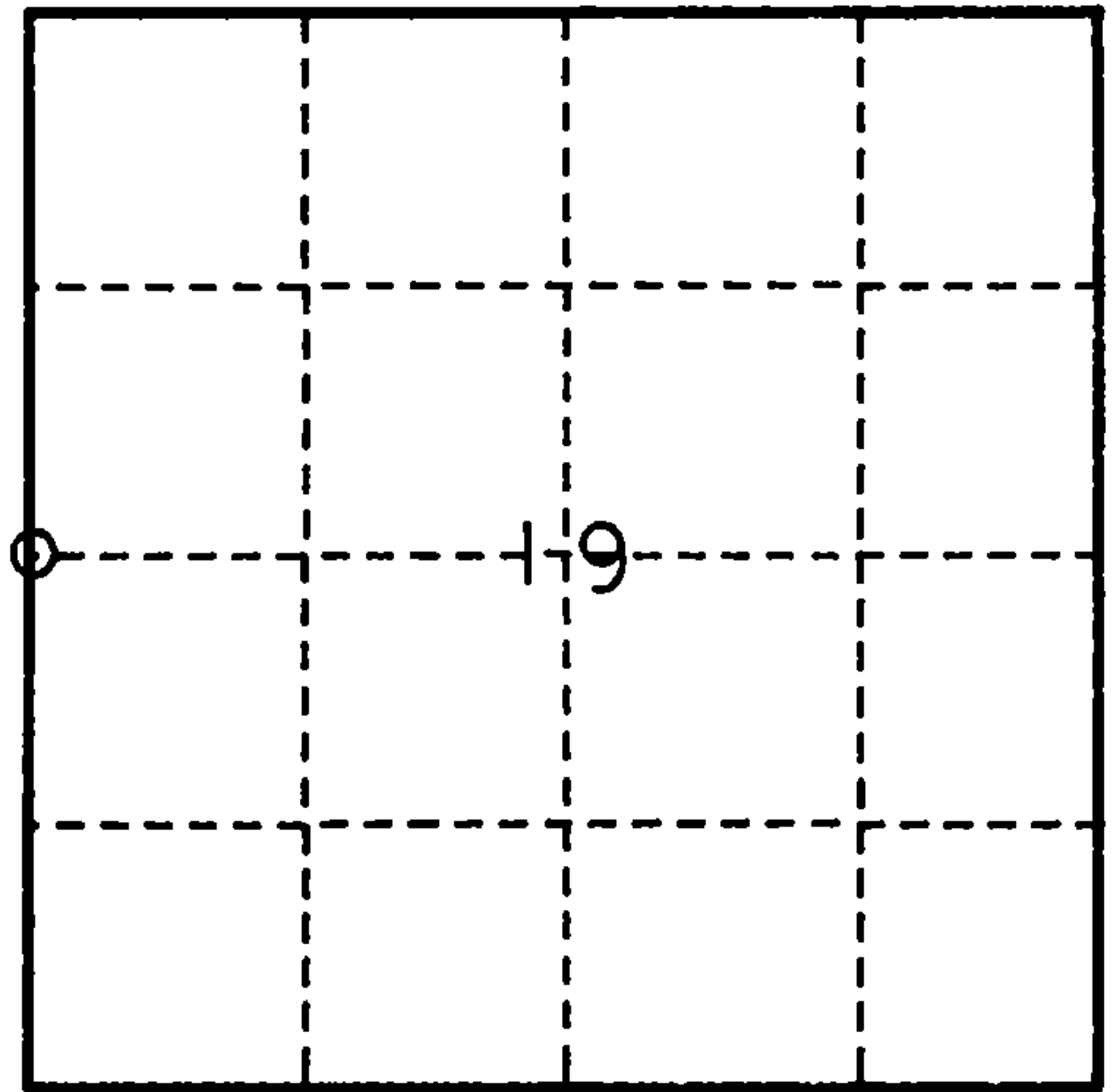
U. S. PUBLIC LAND SURVEY MONUMENT RECORD

INSTRUCTIONS:

This record shall show the location of the corner and shall include all of the following nine elements (a through i).

- (a) Identify the corner by reference to the U.S. public land survey system.
 ○ = Corner monument restored.

WEST ¼ CORNER OF SECTION 19, TWP. 34 N.,
 R.16 E.



- (b) Describe any record evidence, monument evidence, occupational evidence, testimonial evidence or any other material evidence you considered, and whether the monument was found or placed.

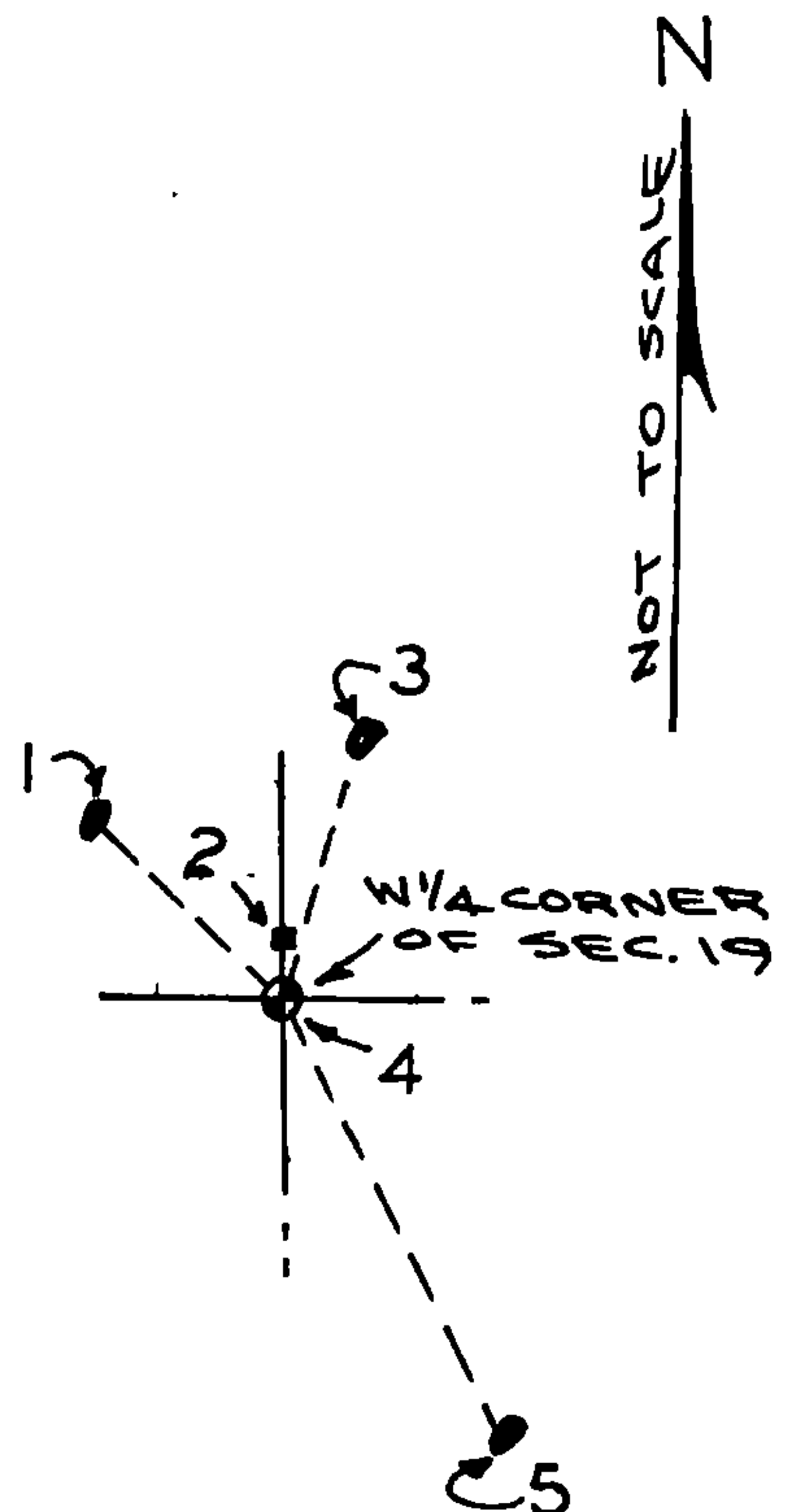
1857 - ORIGINAL SURVEY BY CURTIS, SET WOOD POST, B.Ts - SUGAR 12" S.11° E. 6 LKS., SUGAR 30" N.46° W. 5 LKS.
 1984 - STEFAN R.L.S. NO. S-1558 SET 2" DIA. ALUMINUM MONUMENT AT ¼ CORNER, B.Ts - SUGAR 5" NORTH 28.97FT., SUGAR 8" S.26° E. 50.72FT., SUGAR 8" N.49° W. 26.77FT., WITNESS- STEEL SIGN POST NORTH 1.80FT.
 1993 - DOBBRATZ R.L.S. NO. S-973, FOUND MONUMENT, B.Ts AND WITNESS. B.T SUGAR 5" NORTH 28.97FT. IS DOWN , TIE TO STEEL SIGN POST IS 2.40FT. NOT 1.80FT. FOUND B.T. NOT LISTED ON LAND SURVEY MONUMENT RECORD LISTED AS NO. 3 BELOW.

- (c) In the plan view drawing below, provide reference ties to at least 4 witness monuments, or, if the location is within a municipality, to at least 2 witness monuments. (witness monuments shall be made of concrete, natural stone, iron or other equally durable material.)

- (d) Show a plan view drawing depicting the relevant monuments and reference ties which is sufficient in detail to enable accurate relocation of the corner monument if the corner monument is disturbed. Indicate north.

WITNESS

- 1.-B.T. SUGAR 8" N.49° W. 26.95FT. (EXISTING)
2. STEEL SIGN POST NORTH 2.40FT. (EXISTING)
- 3.-B.T. SUGAR 7" N.10° E. 24.72FT. (EXISTING)
- 4.-2" DIA. ALUMINUM MONUMENT AT CORNER (EXISTING)
- 5.-B.T. SUGAR 12" S.26° E. 50.53FT. (EXISTING)



(e) Describe any material discrepancy between the location of the corner as restored or reestablished and the location of that corner as previously restored or reestablished by distance and direction. Show the discrepancy on the plan view drawing under (d), above. Show the distances between the corner as previously restored or reestablished and (1) the corner as restored or reestablished, and (2) to at least 2 of the witness monuments shown on the drawing in (d), above.

(f) Was the corner restored through acceptance of (1) an obliterated evidence location, or, (2) a found perpetuated location?

(2)

(g & h) Was the corner reestablished through lost corner proportionate methods? If so, show the method, including the directions and distances to other public land survey corners used as evidence or used for proportioning in determining the corner location?

REGISTER'S OFFICE
FOREST COUNTY, WIS.
NOV 23 1993
Paul A. [Signature] M.
Register of Deeds

Affix Land Surveyor Seal
STATE OF WISCONSIN
WAYNE G. DOBBRATZ
S-00973
TOWNSEND, WIS.
LAND SURVEYOR

(1) I, WAYNE G. DOBBRATZ
(type or print name) certify that the corner location shown on this record was determined by me or under my direction and control and that this U.S. Public Land Survey Monument Record is correct and complete to the best of my knowledge and belief.

Wayne G. Dobbratz 9/4/93
Signature Date

CERTIFICATE READY FOR FILING: Ralph [Signature] 11-5-93
Acting District Ranger